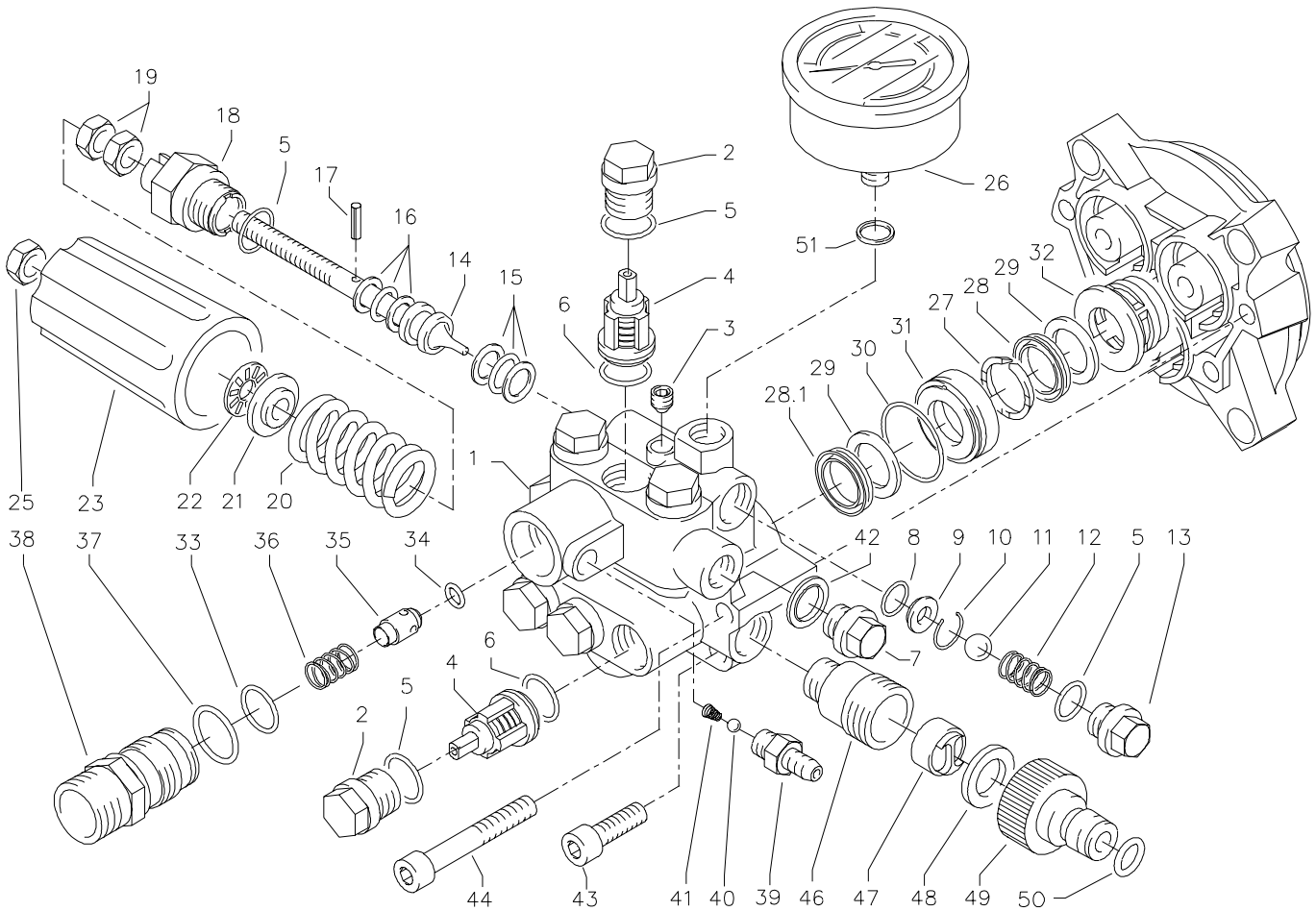


## KRÄNZLE 115 / 125 / 135 / 155 / 185

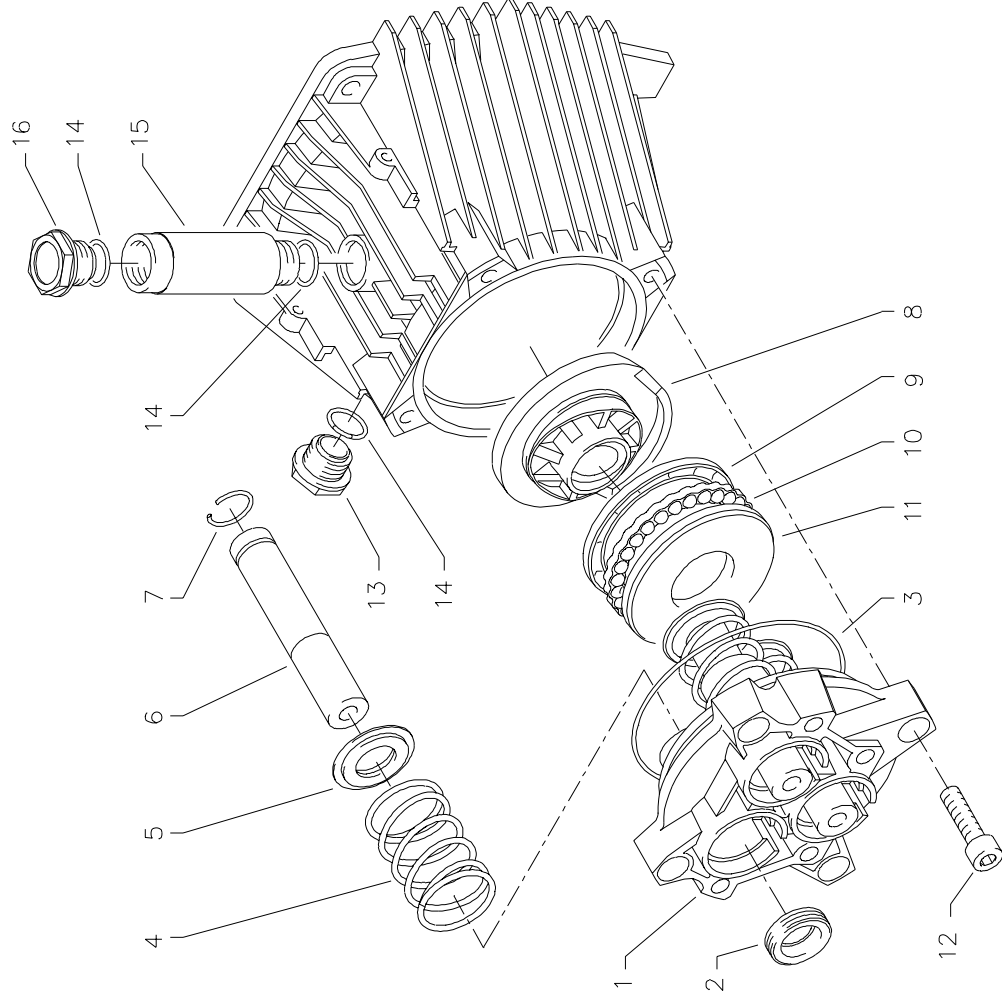
Pos	Description	Qty	Part No.	Pos.	Description	Qty	Part No.
1	Motor K 115	1	43.448	18	Synthetic screw	5	43.415
1	Motor K 125	1	43.400	19	O-Ring	2	13.273
1	Motor K 135	1	43.302	20	Hose 210 bar	1	43.416
1	Motor K 155	1	43.327	21	Chemicals line-strainer	1	15.038
1	Motor K 185	1	43.401	22	Synthetic screw	5	43.417
	Motor with transmission housing			23	Synthetic screw	2	43.418
	Fan and fancover			24	Rubber damper	4	43.419
2	Enclosure half, right	1	43.402	25	Synthetic screw	2	43.420
3	Suspension condensator	1	43.403	26	Screw	4	43.421
4	Enclosure half, left K 115	1	43.404 1	27	Antikink-socket	1	43.422
4.1	Enclosure half, left K 125	1	43.404 2	28	Cable with plug (AC) 220 V for Kränzle 115 / 125 / 135	1	41.092
4.2	Enclosure half, left K 135	1	43.404 3	28.1	Cable + plug, three-phase 380 V for Kränzle 155 / 185	1	41.092 1
4.3	Enclosure half, left K 155	1	43.404 4	29	Synthetic screw	2	43.423
4.4	Enclosure half, left K 185	1	43.404 5	30	Starlock cap	2	43.424
5	Rubber damper - set	2	43.405	31	Tallow-drop screw	8	43.021
6	Lower casing 1 K115 - K205T	1	43.406	32	Synthetic screw	2	43.425
7	Lower casing K 115	1	43.407 1	33	Foamed plastic tube	1	41.418
7.1	Lower casing K125	1	43.407 2	34	Synthetic screw	1	43.426
7.2	Lower casing K135	1	43.407 3	35	Steel shackle K115-K185	2	43.427
7.3	Lower casing K155	1	43.407 4	36	Bottom plate	1	43.428
7.4	Lower casing K185	1	43.407 5	37	Synthetic washer	2	43.429
8	Handle casing 1 K115 - K185	1	43.408	38	Synthetic screw	8	43.430
9	Handle casing 2 K115 - K185	1	43.409	39	Cable clamp	2	43.431
10	Hose support R (right) K115 - K185	1	43.410	40	Synthetic screw	2	43.432
11	Hose support L (left) K115 - K185	1	43.411	41	Synthetic screw	1	43.309
12	Wheel black K115 - K205T	2	43.412	42	Switch framing K115 - K185	1	43.433
13	Wheel boss cap K115 - K185	2	43.413	43	Cable guide Kränzle 115 - 185	2	43.061
14	PICO spray gun adj.nozzle	1	41.053 1	44	Cable support Kränzle 115 - 185	1	43.062
15	Dirtkiller with lance 045	1	41.072 5				
16	Lance 400 mm with adj. nozzle	1	43.440				
17	Tube for handle K115 - K185	1	43.414				



**KRÄNZLE 115 / 125 / 135 / 155**  
**Valve housing APG for Plunger diameter 18 mm**

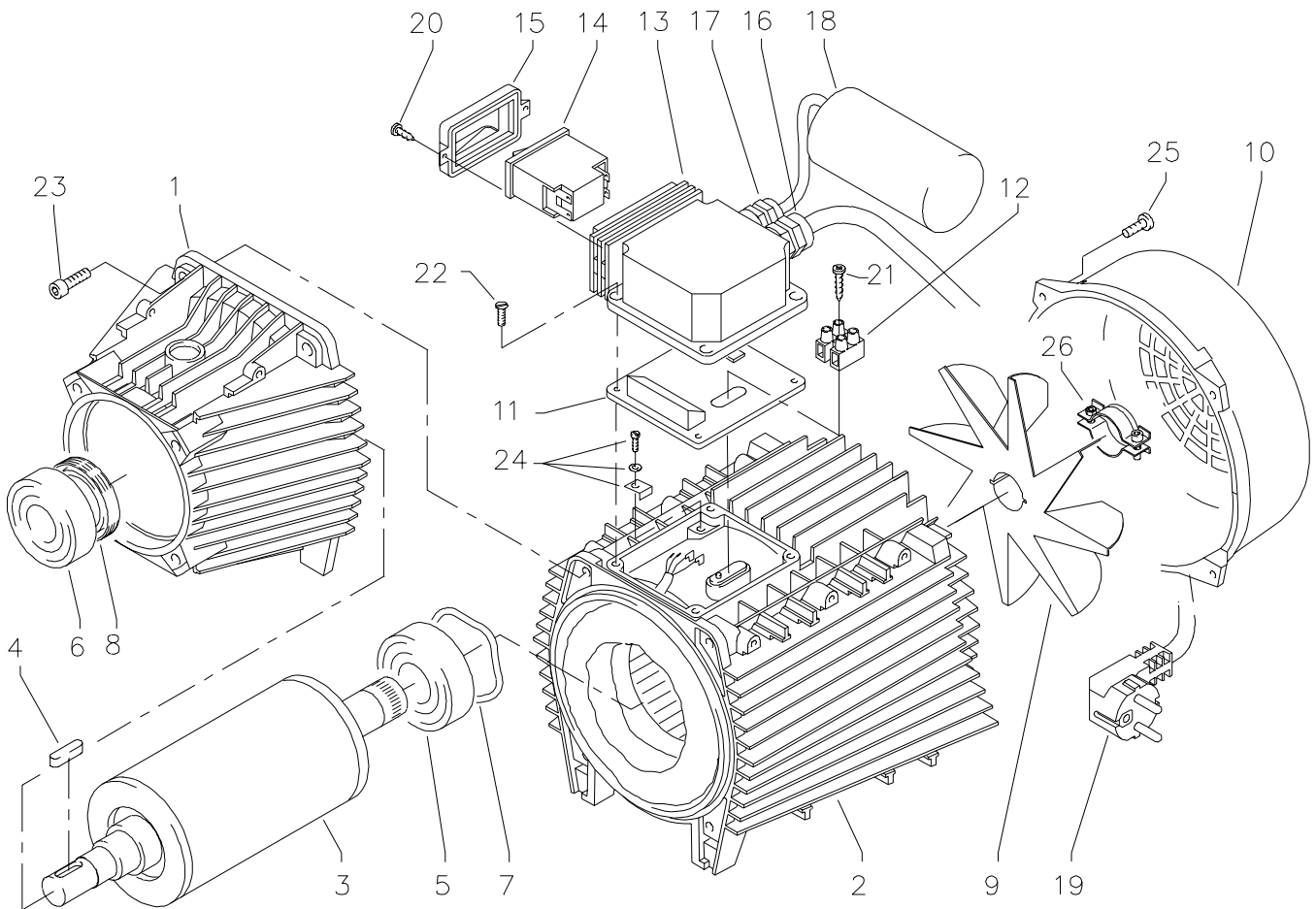
Pos	Description	Qty	Part No.	Pos	Description	Qty	Part No.
1	Valve casing AP	1	43.435	32	Intermediate ring	3	41.015 2
2	Valve plugs APG pump	6	41.714	33	O-Ring	1	12.129 1
3	Sealing plug	1	43.043	34	O-Ring	1	14.121
4	Valve (green)	6	41.715 1	35	Return body (big) for AP	1	14.122
5	O-Ring	8	13.150	36	Return spring for return valve	1	14.120
6	O-Ring	6	41.716	37	O-Ring	1	43.446
7	Sealing plug	1	42.103	38	Outlet element injector	1	43.447
8	O-Ring	1	12.256	39	Chemical inlet	1	13.236
9	Stainless steel seat	1	14.118	40	Stainless-steel ball	1	13.238
10	Locking ring	1	13.147	41	Stainless-steel spring	1	13.239
11	Stainless steel ball	1	13.148	42	Cu-Ring	1	42.104
12	Stainless	1	14.119	43	Hexagon head cap screw	2	41.036 1
13	Plug	1	14.113	44	Hexagon socket screw	2	41.017 1
14	Regulation piston (ULH-F)	1	14.134	46	Suction connection	1	41.016
15	Parbaks	1	13.159	47	Dirtfilter	1	41.046 2
16	Parbaks	1	14.123	48	Rubber seal	1	41.047 1
17	Dowel pin	1	14.148	49	Plastic part for plug-type coupling	1	41.047 2
18	Special piston guide	1	42.105	50	O-Ring	1	41.047 3
19	Nut	2	14.144	51	Gasket, aluminium	2	13.275
20	Pressure spring	1	14.125				
21	Spring tensioning disc	1	14.126		Rep.kit valves for APG-pump		41.748 1
22	Needle bearing for hand wheel	1	14.146		consisting of: 6x Pos. 4; 6x Pos. 5; 6x Pos. 6		
23	Handwheel	1	14.147				
25	Safety nut	1	14.152		Rep.kit sleeves 18 mm		41.049 2
26	Manomter 0-250	1	15.039		consisting of : 3x Pos. 27; 3x Pos. 28;		
27	Pressure ring	1	41.018		3x Pos. 28.1; 6x Pos. 29; 6x Pos. 30		
28	V-sleeves Perbunan	3	41.013				
28.1	V-sleeves Perbunan	3	41.013 1		Valve housing compl.		43.442
29	Backring	6	41.014		with integr. ULH		
30	O-Ring	3	40.026				
31	Leakage ring	3	41.066		Guide piston compl.		43.444

# KRÄNZLE 115 / 125 / 135 / 155



## KRÄNZLE 115 / 125 / 135 / 155 Transmission unit for plunger diameter 18 mm

No	Description	Qty	Ord. No
1	Housing plate AP f. 18 mm	1	41.020 2
2	Oil seal	3	41.031
3	O-Ring Viton	1	41.021 1
4	Plunger spring	3	41.033
5	Spring tensioning disc 18 mm	3	41.034
6	Plunger 18 mm	3	41.032 1
7	Retaining ring 18 mm	3	41.035
8	Swashplate 11,0° Kränzle 115	1	41.028-11,0
8	Swashplate 11,5° Kränzle 125	1	41.028-11,5
8	Swashplate 12,0° Kränzle 135	1	41.028-12,0
8	Swashplate 13,0° Kränzle 155	1	41.028-13,0
9	Housing washer	1	41.025 1
10	Ball bearing retainer cage	1	41.026 1
11	Shaft disc	1	41.029 1
12	Hexagon head cap screw	4	41.036 1
13	Oil sight glass	1	42.018 1
14	O-Ring	3	43.445
15	Oil fill neck K115 - K155	1	43.438
16	Oil filler cap, red, w/o vent hole	1	43.437



### Motor for KRÄNZLE 115, 125, 135

1	Oil casing for Kränzle 115 - 155	1	43.314
2	Motorhousing, Stator Kränzle 115 / 125	1	43.400 9
2	Motorhousing, Stator Kränzle 135	1	43.315
3	Rotor Kränzle 115 / 125 / 135	1	43.316
4	Feather key	1	41.483 1
5	Motor bearing B side	1	43.317
6	Shoulder bearing, A-side	1	41.027
7	Spring disc for bearing	1	43.318
8	Oil gasket	1	41.024
9	Ventilator	1	43.319
10	Fan cover BG 90 K115 - K135	1	43.320
11	Flat gasket	1	43.030
12	Insulating screw	1	43.031
13	Switch-casing BG 90 Kränzle 115 - 135	1	43.321
14	Switch 13,5 A (1,5 kw)	1	41.110 2
15	Clamping frame with switch sealing	1	41.110 5
16	Cable screw connection	1	41.419
17	Cable screw connection	1	43.034
18	Condensator 70 µF	1	43.322
19	Cable with plug (AC) for 220 V appliances	1	41.092
20	Self tapping screw 3.5 x 9.5	2	41.088
21	Hexagon head cap screw	1	43.036
22	Screw, cross head	4	41.489
23	Hexagon head cap screw	4	43.037
24	Earthing screw compl.	1	43.038
25	Screw, cross head	2	41.489
26	Strap for fan wheel	1	43.454